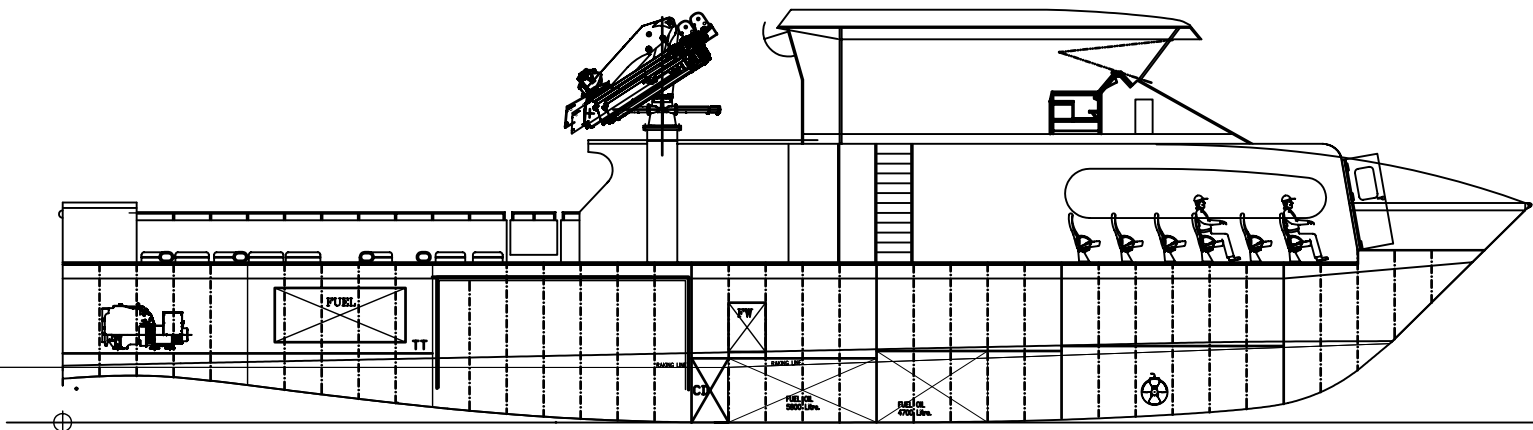
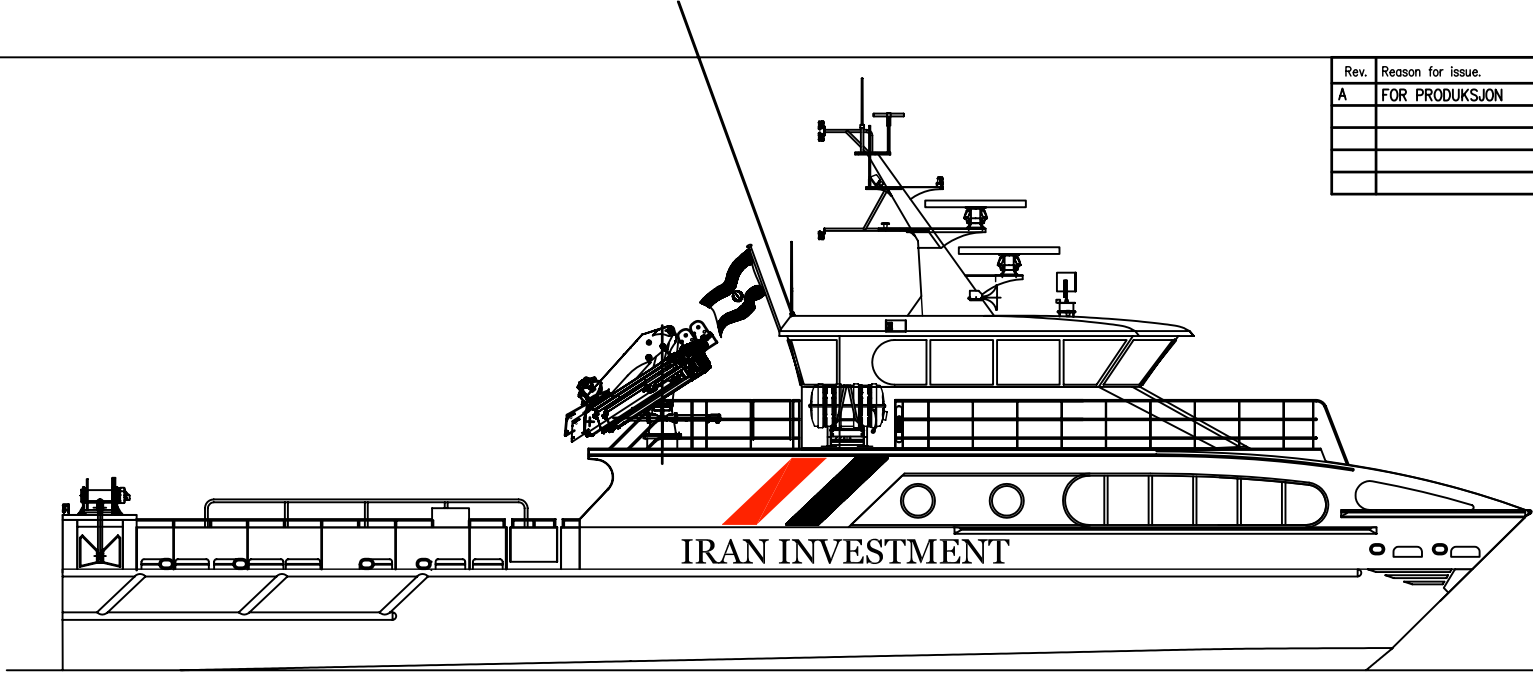
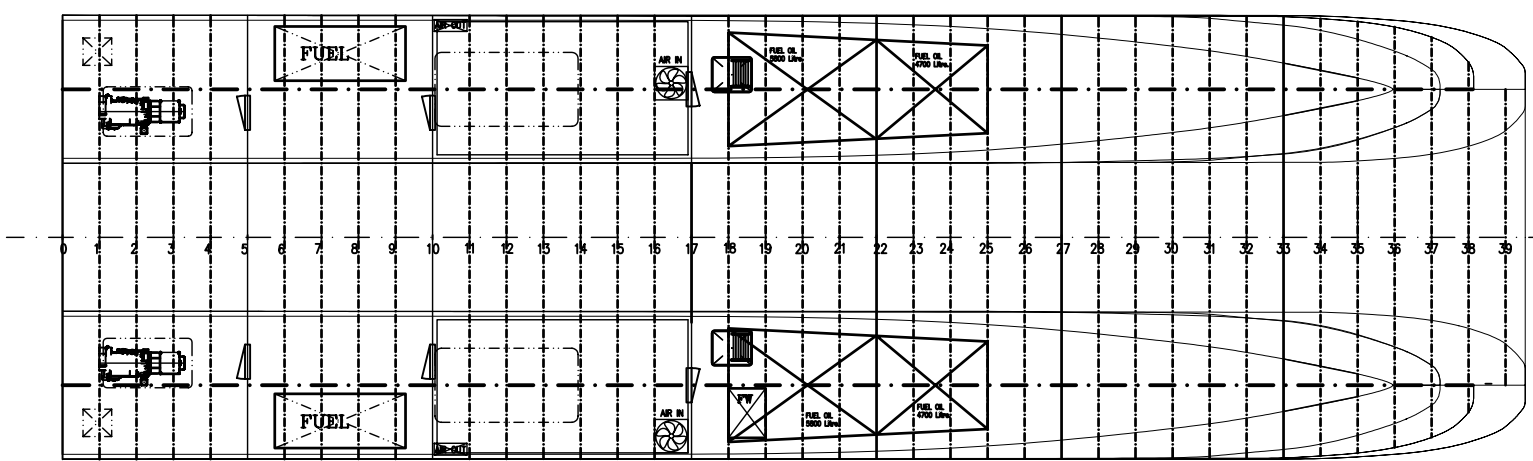
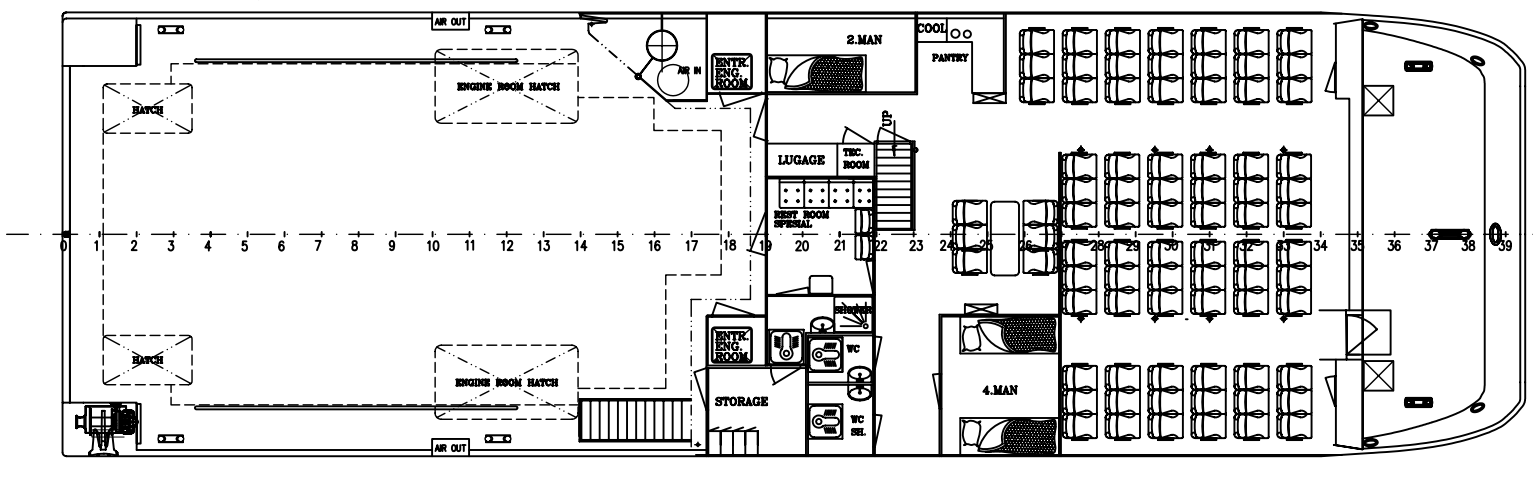
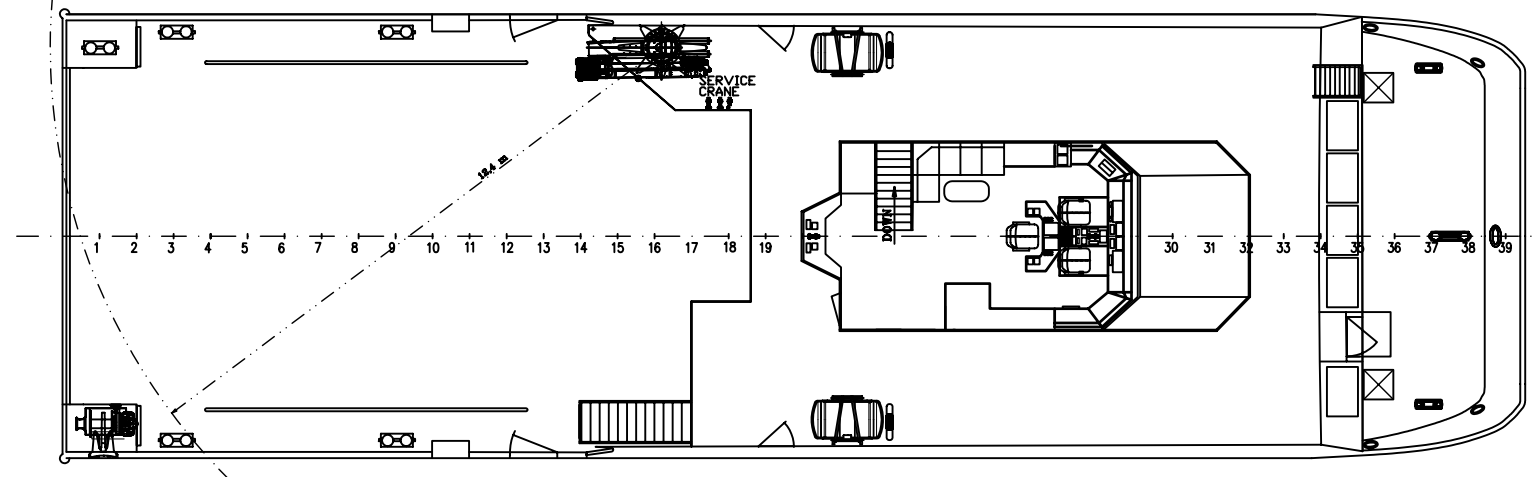


Rev.	Reason for issue.	Date	Drw.	Chk.	App.
A	FOR PRODUKSJON	28.02.08	TS		



0 1 2 3 4 5 6 7 8 9 10 11 12 13 14 15 16 17 18 19 20 21 22 23 24 25 26 27 28 29 30 31 32 33 34 35 36 37 38 39



MAIN DIMENSION:
 LENGHT OVER ALL : 29.65 M
 BREADTH OVER ALL : 9.00 M.
 DRAFT APPROX. : 1.80 M.
 NUMBER OF PASSENGER : 76

CONFIDENTIAL
 This drawing/document is and remains the property of Båtservice Holding A/S, MANDAL, and must be returned upon request. The information and know-how hereon are confidential and may not be used, reproduced or revealed to others, in whole or in part, except with the prior written consent of Båtservice Holding A/S. Any permitted reproduction must bear this legend.

Båtservice Mandal as P.O.BOX 113, N-4501 MANDAL NORWAY TELEPHONE: +47 38 27 13 00 FAX: +47 38 26 45 80 E-MAIL: post@batservice.no	YARD No.: 78	DATE: 26.02.08	CHECKED:	SCALE: 1:75
	DRAWN: OLO/MPW		Approved:	Format: A1
TITLE: GENERAL ARRANGEMENT				
DRAWING No.: 78-10-17084			ISSUE: A	

